



PORTA UTENSILI REGISTRABILI ADJUSTABLE TOOL HOLDERS



PORTA UTENSILI REGISTRABILI; PORTA BARENI REGISTRABILI; TESTINE REGOLABILI A BARENARE; PORTA UTENSILI COMBINATI PER TORNIRE E FORARE; PORTA GODRONI; PORTA UTENSILI PER RECESSI; MANDRINI PORTA PUNTE REGISTRABILI.



ADJUSTABLE TOOL HOLDERS; BORING BAR HEADS; FINISH BORING TOOLS; TURN AND DRILL HOLDERS; KNURL HOLDERS; RECESSING TOOL HOLDERS; ADJUSTABLE DRILL CHUCK.



CHIA-MO SRL
VIA CADUTI DI SABBIBUONO, 12
40011 ANZOLA DELL'EMILIA
BOLOGNA ITALY

TEL +39 051734153
FAX +39 051734958

WWW.CHIAMO.IT
INFO@CHIAMO.IT

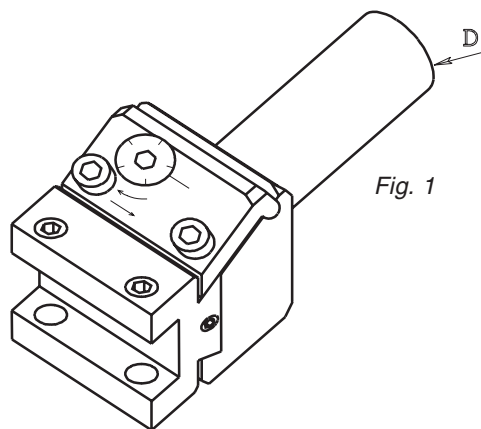


SUPPORTINI REGISTRABILI Tipo 122 - 123 - 124
ADJUSTABLE TOOLHOLDERS

SUPPORTINO REGISTRABILE PORTA BARRETTA
ADJUSTABLE TOOLHOLDER

| Code | | length of shaft | total length | cut off |
|---------|----|-----------------|------------------|---------|
| ART. | D | Lunghezza stelo | Lunghezza totale | Taglio |
| 124.201 | 15 | 42 | 82 | Dx - Sx |
| 124.202 | 15 | 60 | 100 | Dx - Sx |
| 124.301 | 18 | 50 | 90 | Dx - Sx |
| 124.302 | 18 | 75 | 115 | Dx - Sx |

Fig. 1



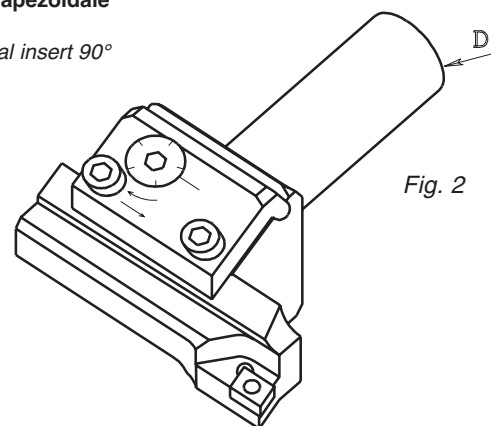
SUPPORTINO REGISTRABILE
CON UTENSILE PORTA INSERTO

ADJUSTABLE TOOLHOLDER WITH INSERT HOLDER

| Code | | length of shaft | total length | cut off |
|-----------|----|-----------------|------------------|---------|
| ART. | D | Lunghezza stelo | Lunghezza totale | Taglio |
| 122.201 D | 15 | 42 | 82 | Dx |
| 122.202 D | 15 | 60 | 100 | Dx |
| 122.301 D | 18 | 50 | 90 | Dx |
| 122.302 D | 18 | 75 | 115 | Dx |
| 122.201 S | 15 | 42 | 82 | Sx |
| 122.202 S | 15 | 60 | 100 | Sx |
| 122.301 S | 18 | 50 | 90 | Sx |
| 122.302 S | 18 | 75 | 115 | Sx |

Fig. 2

Con inserto trapezoidale
a 90 gradi
With trapezoidal insert 90°



| ART. | D | Lunghezza stelo | Lunghezza totale | Taglio |
|-----------|----|-----------------|------------------|--------|
| 123.201 D | 15 | 42 | 82 | Dx |
| 123.202 D | 15 | 60 | 100 | Dx |
| 123.301 D | 18 | 50 | 90 | Dx |
| 123.302 D | 18 | 75 | 115 | Dx |
| 123.201 S | 15 | 42 | 82 | Sx |
| 123.202 S | 15 | 60 | 100 | Sx |
| 123.301 S | 18 | 50 | 90 | Sx |
| 123.302 S | 18 | 75 | 115 | Sx |

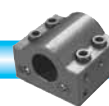
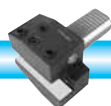
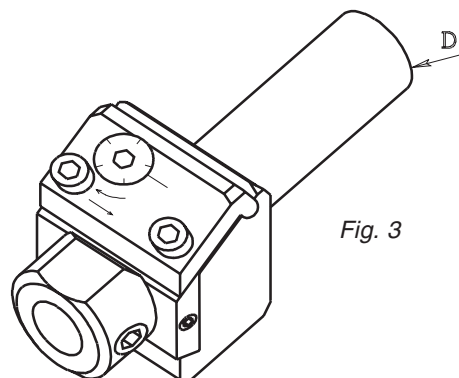
Con inserto trapezoidale
a 45 gradi
With trapezoidal insert 45°

(N.B.1)
L'utensile rappresentato in
figura è per taglio sinistro
Tool in figure is left hand

PORTA BARENO REGISTRABILE Tipo 140
ADJUSTABLE BORING TOOLHOLDER

| Code | | length of shaft | total length | ø bore |
|---------|--------|-----------------|------------------|--------|
| ART. | D | Lunghezza stelo | Lunghezza totale | Foro |
| 140.115 | 15.875 | 32 | 78.5 | 12 |
| 140.116 | 16 | 32 | 78.5 | 12 |
| 140.119 | 19.05 | 46 | 92.5 | 12 |
| 140.120 | 20 | 46 | 92.5 | 12 |

Fig. 3





SUPPORTINI REGISTRABILI Tipo 122 - 123 - 124 - 140

ADJUSTABLE TOOLHOLDER - ADJUSTABLE BORING TOOLHOLDER

PARTI INTERCAMBIABILI E DI RICAMBIO

INTERCHANGEABLE PARTS

I supportini registrabili Tipo 122-123-124 ed i porta bareni registrabili Tipo 140 sono intercambiabili.

Su di uno stesso stelo di supporto (Fig. 1), che contiene il meccanismo di movimento, si possono montare e smontare i vari tipi di utensile (Fig. 2-3-4-5).

Adjustable toolholders Type 122-123-124 and adjustable boring toolholders are interchangeable. Any shaft can be assembled with many tool type (fig. 2-3-4-5).

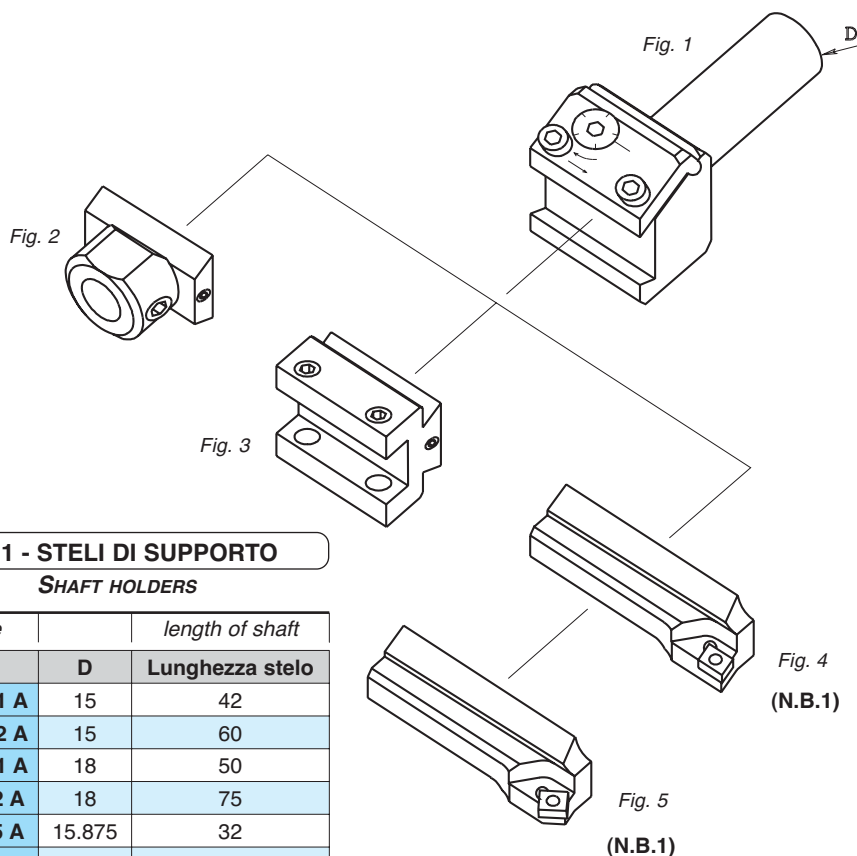


Fig. 1 - STELI DI SUPPORTO

SHAFT HOLDERS

| Code | | length of shaft |
|-----------|--------|-----------------|
| ART. | D | Lunghezza stelo |
| 124.201 A | 15 | 42 |
| 124.202 A | 15 | 60 |
| 124.301 A | 18 | 50 |
| 124.302 A | 18 | 75 |
| 140.115 A | 15.875 | 32 |
| 140.116 A | 16 | 32 |
| 140.119 A | 19.05 | 46 |
| 140.120 A | 20 | 46 |

Fig. 2 - PORTA BARENO Art. 140.100 B

BORING TOOLHOLDER

**Fig. 3 - PORTA BARRETTA Art. 124.201 B
PER BARRETTA 8x8**

TOOLHOLDER FOR TOOL 8x8

Fig. 4 - UTENSILE PORTA INSERTO A 90°

INSERT TOOLHOLDER 90°

| Code | cut off | insert |
|-----------|----------|---------|
| ART. | Taglio | Inserto |
| 122.001 D | Destro | CCMT |
| 122.001 S | Sinistro | CCMT |

Fig. 5 - UTENSILE PORTA INSERTO A 45°

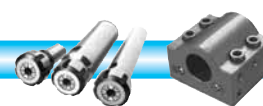
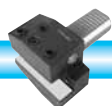
INSERT TOOLHOLDER 45°

| Code | cut off | insert |
|-----------|----------|---------|
| ART. | Taglio | Inserto |
| 123.001 D | Destro | CCMT |
| 123.001 S | Sinistro | CCMT |



(N.B.1)

L'utensile rappresentato in figura è per taglio sinistro
Tool in figure is left hand





PORTA BARENO REGISTRABILE Tipo 140
ADJUSTABLE BORING TOOLHOLDER

Fig. 1

| Code | | | | | |
|---------|--------|----|------|----|----|
| ART. | d | F | H | L | R |
| 140.115 | 15.875 | 12 | 46.5 | 32 | 10 |
| 140.116 | 16 | 12 | 46.5 | 32 | 10 |
| 140.119 | 19.05 | 12 | 46.5 | 46 | 10 |
| 140.120 | 20 | 12 | 46.5 | 46 | 10 |

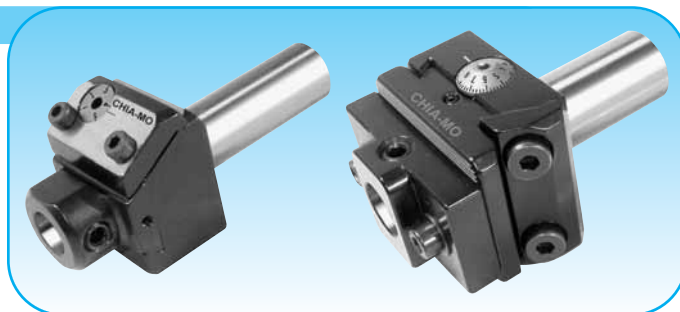


Fig. 2

| Code | | | | | |
|---------|-------|----|----|----|----|
| ART. | d | F | H | L | R |
| 140.219 | 19.05 | 15 | 54 | 50 | 18 |
| 140.220 | 20 | 15 | 54 | 50 | 18 |
| 140.225 | 25 | 15 | 54 | 50 | 18 |
| 140.226 | 25.40 | 15 | 54 | 50 | 18 |
| 140.319 | 19.05 | 18 | 54 | 50 | 18 |
| 140.320 | 20 | 18 | 54 | 50 | 18 |
| 140.325 | 25 | 18 | 54 | 50 | 18 |
| 140.326 | 25.40 | 18 | 54 | 50 | 18 |

R = Corsa di registrazione
R = adjustable stroke

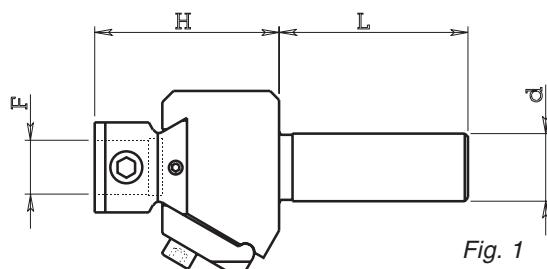


Fig. 1

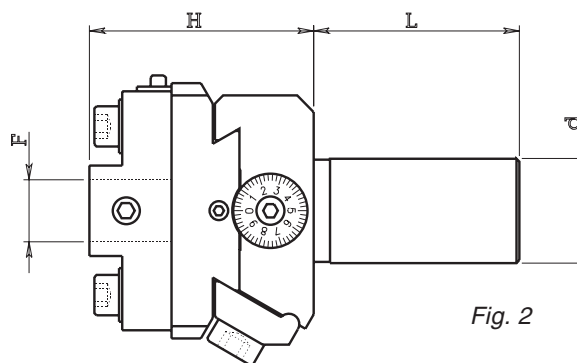
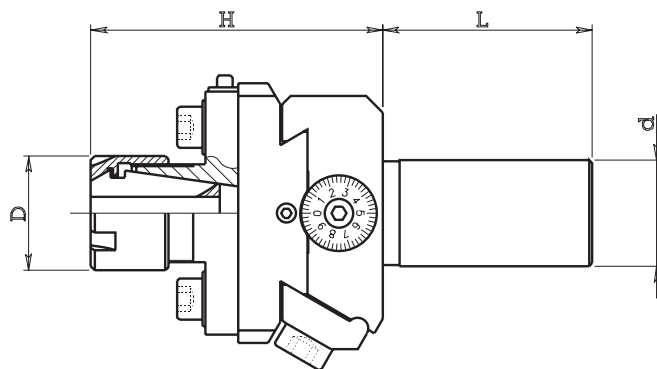


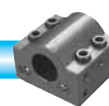
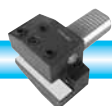
Fig. 2

PORTA BARENO REGISTRABILE Tipo 140 CON PINZA
ADJUSTABLE BORING TOOLHOLDER WITH COLLET

| Code | | | | | collet | collet code | collet bore | |
|----------|-------|----|----|----|--------|-------------|----------------|-----|
| ART. | d | D | H | L | pinza | art. pinza | capacità pinza | |
| | | | | | | | min | max |
| 140.219B | 19.05 | 22 | 67 | 50 | ERC 16 | 050.016 | 1 | 10 |
| 140.220B | 20 | 22 | 67 | 50 | ERC 16 | 050.016 | 1 | 10 |
| 140.225B | 25 | 22 | 67 | 50 | ERC 16 | 050.016 | 1 | 10 |
| 140.226B | 25.40 | 22 | 67 | 50 | ERC 16 | 050.016 | 1 | 10 |
| 140.219C | 19.05 | 28 | 70 | 50 | ERC 20 | 050.020 | 1 | 13 |
| 140.220C | 20 | 28 | 70 | 50 | ERC 20 | 050.020 | 1 | 13 |
| 140.325C | 25 | 28 | 70 | 50 | ERC 20 | 050.020 | 1 | 13 |
| 140.326C | 25.40 | 28 | 70 | 50 | ERC 20 | 050.020 | 1 | 13 |
| 140.319D | 19.05 | 35 | 75 | 50 | ERC 25 | 050.025 | 1 | 16 |
| 140.320D | 20 | 35 | 75 | 50 | ERC 25 | 050.025 | 1 | 16 |
| 140.325D | 25 | 35 | 75 | 50 | ERC 25 | 050.025 | 1 | 16 |
| 140.326D | 25.40 | 35 | 75 | 50 | ERC 25 | 050.025 | 1 | 16 |



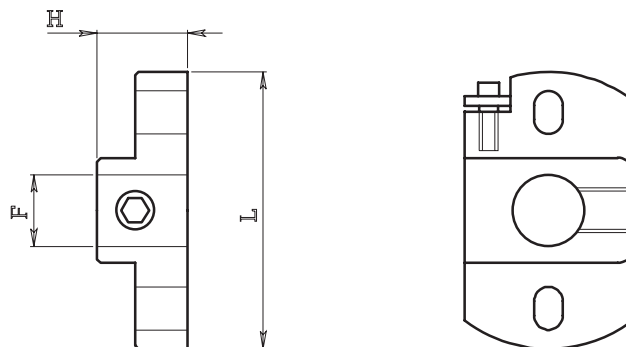
Pinze DIN 6499/B
Collets DIN 6499/B





PIASTRINI Tipo 141
BORING TOOLHOLDERS

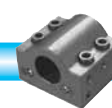
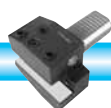
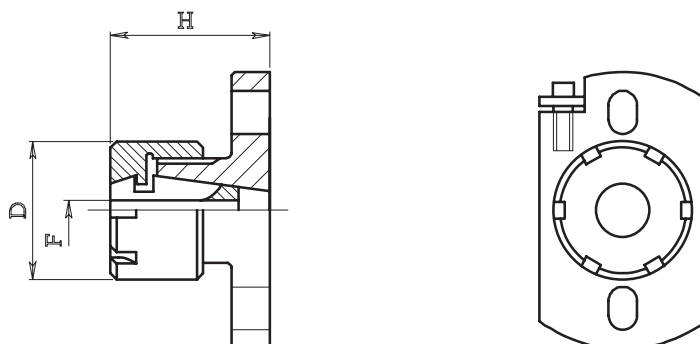
| Code | | | | for toolholder |
|---------|----|----|----|-------------------|
| ART. | F | H | L | per portautensile |
| 141.201 | 15 | 20 | 58 | 140.2 - 142.2 |
| 141.301 | 18 | 20 | 64 | 140.3 - 142.3 |



PIASTRINI PORTA PINZA Tipo 141
BORING TOOLHOLDERS WITH COLLET

| Code | | | collet | collet code | collet bore | for toolholder | |
|---------|----|----|--------|-------------|----------------|----------------|-------------------|
| ART. | H | D | pinza | art. pinza | capacità pinza | | per portautensile |
| | | | | | min | max | |
| 141.216 | 32 | 22 | ERC 16 | 050.016 | 1 | 10 | 140.2 - 142.2 |
| 141.220 | 36 | 28 | ERC 20 | 050.020 | 1 | 13 | 140.2 - 142.2 |
| 141.320 | 36 | 28 | ERC 20 | 050.020 | 1 | 13 | 140.3 - 142.3 |
| 141.325 | 42 | 35 | ERC 25 | 050.025 | 1 | 16 | 140.3 - 142.3 |

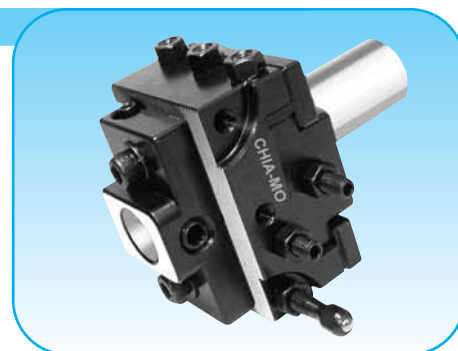
Pinze DIN 6499/B
Collets DIN 6499/B





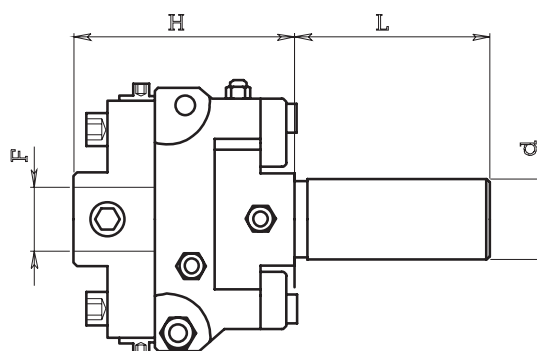
PORTA UTENSILI PER RECESSI INTERNI Tipo 142

RECESSING TOOLHOLDERS



| Code | | | | | |
|---------|-------|----|----|----|----|
| ART. | d | F | H | L | R |
| 142.219 | 19.05 | 15 | 52 | 46 | 20 |
| 142.220 | 20 | 15 | 52 | 46 | 20 |
| 142.222 | 22 | 15 | 52 | 46 | 20 |
| 142.322 | 22 | 18 | 60 | 50 | 24 |
| 142.325 | 25 | 18 | 60 | 50 | 24 |
| 142.326 | 25.40 | 18 | 60 | 50 | 24 |
| 142.330 | 30 | 18 | 60 | 50 | 24 |
| 142.331 | 31.75 | 18 | 60 | 50 | 24 |
| 142.332 | 32 | 18 | 60 | 50 | 24 |

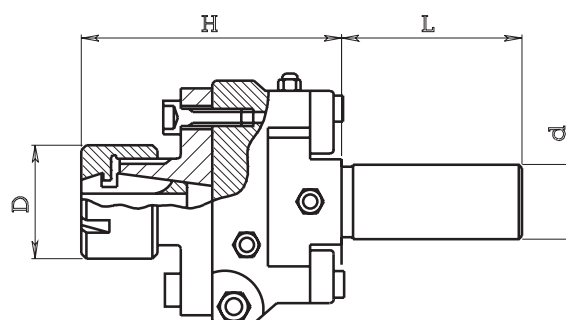
R = Corsa di registrazione
R = adjustable stroke



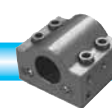
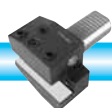
PORTA UTENSILI PER RECESSI INTERNI Tipo 142 CON PINZA

RECESSING TOOLHOLDERS WITH COLLET

| Code | | | | | collet | collet code | collet bore | |
|----------|-------|----|----|----|--------|-------------|----------------|-----|
| ART. | d | D | H | L | pinza | art. pinza | capacità pinza | |
| | | | | | | | min | max |
| 142.219B | 19.05 | 22 | 64 | 46 | ERC 16 | 050.016 | 1 | 10 |
| 142.220B | 20 | 22 | 64 | 46 | ERC 16 | 050.016 | 1 | 10 |
| 142.222B | 22 | 22 | 64 | 46 | ERC 16 | 050.016 | 1 | 10 |
| 142.325B | 25 | 22 | 64 | 46 | ERC 16 | 050.016 | 1 | 10 |
| 142.326B | 25.40 | 22 | 64 | 46 | ERC 16 | 050.016 | 1 | 10 |
| 142.219C | 19.05 | 28 | 68 | 46 | ERC 20 | 050.020 | 1 | 13 |
| 142.220C | 20 | 28 | 68 | 46 | ERC 20 | 050.020 | 1 | 13 |
| 142.222C | 22 | 28 | 68 | 46 | ERC 20 | 050.020 | 1 | 13 |
| 142.325C | 25 | 28 | 76 | 50 | ERC 20 | 050.020 | 1 | 13 |
| 142.326C | 25.40 | 28 | 76 | 50 | ERC 20 | 050.020 | 1 | 13 |
| 142.330C | 30 | 28 | 76 | 50 | ERC 20 | 050.020 | 1 | 13 |
| 142.331C | 31.75 | 28 | 76 | 50 | ERC 20 | 050.020 | 1 | 13 |
| 142.332C | 32 | 28 | 76 | 50 | ERC 20 | 050.020 | 1 | 13 |
| 142.219D | 19.05 | 35 | 82 | 50 | ERC 25 | 050.025 | 1 | 16 |
| 142.220D | 20 | 35 | 82 | 50 | ERC 25 | 050.025 | 1 | 16 |
| 142.222D | 22 | 35 | 82 | 50 | ERC 25 | 050.025 | 1 | 16 |
| 142.325D | 25 | 35 | 82 | 50 | ERC 25 | 050.025 | 1 | 16 |
| 142.326D | 25.40 | 35 | 82 | 50 | ERC 25 | 050.025 | 1 | 16 |
| 142.330D | 30 | 35 | 82 | 50 | ERC 25 | 050.025 | 1 | 16 |
| 142.331D | 31.75 | 35 | 82 | 50 | ERC 25 | 050.025 | 1 | 16 |
| 142.332D | 32 | 35 | 82 | 50 | ERC 25 | 050.025 | 1 | 16 |



Pinze DIN 6499/B
Collets DIN 6499/B

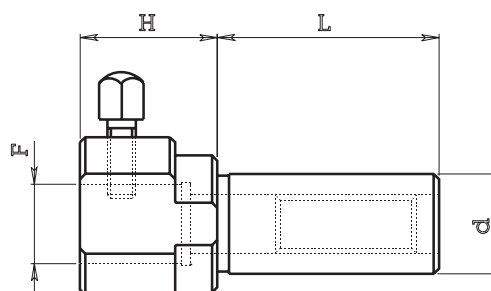




PORTA UTENSILI PER PUNTE CILINDRICHE Tipo 152

TOOLHOLDER FOR CYLINDRICAL SHANK DRILLS

| Code | | | | |
|---------|-------|----|----|----|
| ART. | d | H | L | F |
| 152.219 | 19.05 | 26 | 32 | 15 |
| 152.220 | 20 | 26 | 46 | 15 |
| 152.325 | 25 | 40 | 46 | 25 |
| 152.326 | 25.40 | 40 | 46 | 25 |



PORTA PUNTA REGISTRABILE Tipo 154 CON PINZA

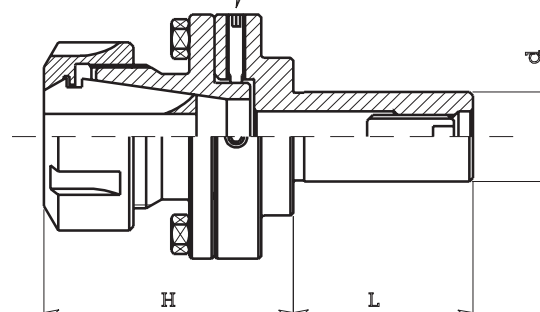
ADJUSTABLE COLLET CHUCKS

Pinze DIN 6499/B
Collets DIN 6499/B



| Code | | | | collet | collet code |
|---------|-------|----|----|--------|-------------|
| ART. | d | H | L | pinza | art. pinza |
| 154.219 | 19.05 | 42 | 44 | ERC 20 | 050.020 |
| 154.220 | 20 | 42 | 44 | ERC 20 | 050.020 |
| 154.322 | 22 | 57 | 50 | ERC 32 | 050.032 |
| 154.325 | 25 | 57 | 50 | ERC 32 | 050.032 |
| 154.326 | 25.40 | 57 | 50 | ERC 32 | 050.032 |
| 154.330 | 30 | 57 | 50 | ERC 32 | 050.032 |
| 154.331 | 31.75 | 57 | 50 | ERC 32 | 050.032 |
| 154.332 | 32 | 57 | 50 | ERC 32 | 050.032 |

n.4 Filetti per registrare la centratura

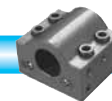
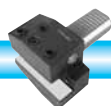
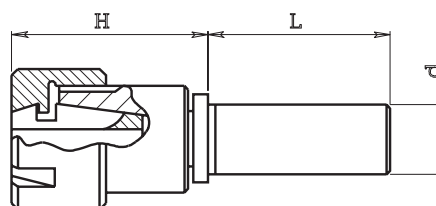


PORTA ALESATORI OSCILLANTI Tipo 156 CON PINZA

REAMER HOLDERS WITH COLLET

Pinze DIN 6499/B
Collets DIN 6499/B

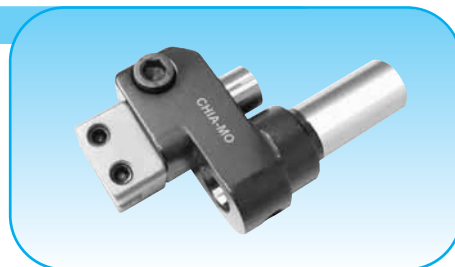
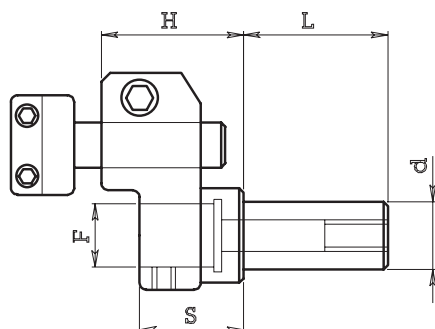
| Code | | | | collet | collet code |
|---------|-------|----|----|--------|-------------|
| ART. | d | H | L | pinza | art. pinza |
| 156.119 | 19.05 | 42 | 46 | ERC 20 | 050.020 |
| 156.120 | 20 | 42 | 46 | ERC 20 | 050.020 |
| 156.222 | 22 | 46 | 50 | ERC 25 | 050.025 |
| 156.225 | 25 | 46 | 50 | ERC 25 | 050.025 |
| 156.226 | 25.40 | 46 | 50 | ERC 25 | 050.025 |
| 156.230 | 30 | 46 | 50 | ERC 25 | 050.025 |
| 156.231 | 31.75 | 46 | 50 | ERC 25 | 050.025 |
| 156.232 | 32 | 46 | 50 | ERC 25 | 050.025 |





PORTA UTENSILE COMBINATO SEMPLICE RIBASSATO Tipo 108

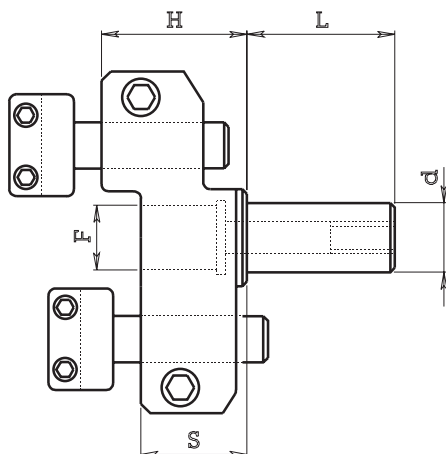
TURN AND DRILL HOLDER



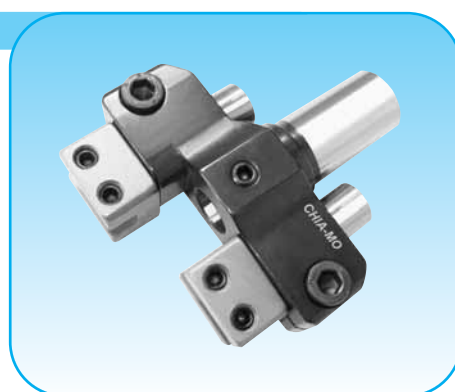
| ART. (Code) | d | F | H | S | L | E |
|-------------|--------|----|----|----|----|----|
| 108.115 | 15.875 | 12 | 32 | 24 | 32 | 12 |
| 108.116 | 16 | 12 | 32 | 24 | 32 | 12 |
| 108.119 | 19.05 | 12 | 32 | 24 | 32 | 12 |

PORTA UTENSILE COMBINATO DOPPIO RIBASSATO Tipo 109

TURN AND DRILL HOLDER



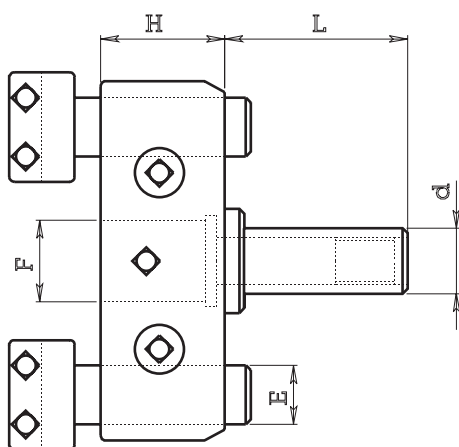
A richiesta (on request)



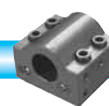
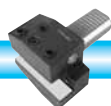
| ART. (Code) | d | F | H | S | L | E |
|-------------|--------|----|----|----|----|----|
| 109.115 | 15.875 | 12 | 32 | 26 | 32 | 12 |
| 109.116 | 16 | 12 | 32 | 26 | 32 | 12 |
| 109.119 | 19.05 | 12 | 32 | 26 | 32 | 12 |

PORTA UTENSILE COMBINATO DOPPIO Tipo 110

TURN AND DRILL HOLDER



| ART. (Code) | d | F | H | L | E |
|-------------|-------|----|----|----|----|
| 110.219 | 19.05 | 15 | 26 | 46 | 15 |
| 110.220 | 20 | 15 | 26 | 46 | 15 |
| 110.322 | 22 | 25 | 44 | 50 | 18 |
| 110.325 | 25 | 25 | 44 | 50 | 18 |
| 110.326 | 25.40 | 25 | 44 | 50 | 18 |
| 110.330 | 30 | 25 | 38 | 56 | 18 |
| 110.331 | 31.75 | 25 | 38 | 56 | 18 |
| 110.332 | 32 | 25 | 38 | 56 | 18 |



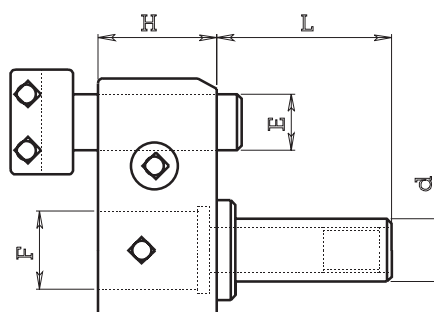


PORTA UTENSILE COMBINATO SEMPLICE Tipo 112

TURN AND DRILL HOLDER



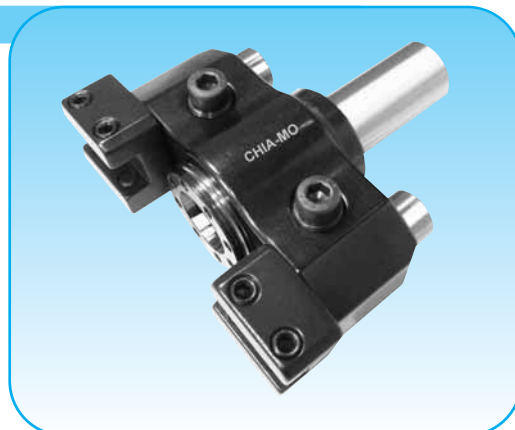
| Code | | | | | |
|---------|--------|----|----|----|----|
| ART. | d | F | H | L | E |
| 112.115 | 15.875 | 12 | 22 | 32 | 12 |
| 112.116 | 16 | 12 | 22 | 32 | 12 |
| 112.119 | 19.05 | 12 | 22 | 32 | 12 |
| 112.219 | 19.05 | 15 | 26 | 46 | 15 |
| 112.220 | 20 | 15 | 26 | 46 | 15 |
| 112.322 | 22 | 25 | 36 | 50 | 18 |
| 112.325 | 25 | 25 | 36 | 50 | 18 |
| 112.326 | 25.40 | 25 | 36 | 50 | 18 |
| 112.330 | 30 | 25 | 36 | 50 | 18 |
| 112.331 | 31.75 | 25 | 36 | 50 | 18 |
| 112.332 | 32 | 25 | 36 | 50 | 18 |



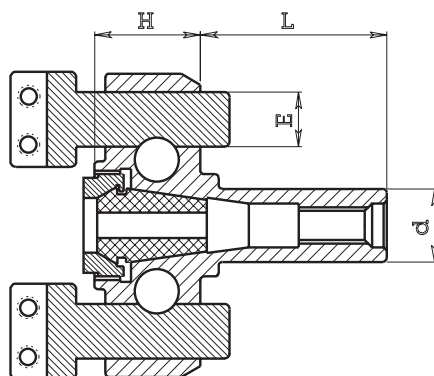
PORTA UTENSILE COMBINATO DOPPIO Tipo 114 CON PINZA

TURN AND DRILL HOLDER WITH COLLET

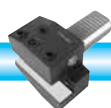
Pinze DIN 6499/B
Collets DIN 6499/B



| Code | | | | | Collet | Code collet |
|----------|--------|----|----|----|--------|-------------|
| ART. | d | H | L | E | pinza | art. pinza |
| 114.115* | 15.875 | 28 | 32 | 12 | ERC 16 | 050.016 |
| 114.116* | 16 | 28 | 32 | 12 | ERC 16 | 050.016 |
| 114.119* | 19.05 | 28 | 32 | 12 | ERC 16 | 050.016 |
| 114.219 | 19.05 | 34 | 46 | 15 | ERC 20 | 050.020 |
| 114.220 | 20 | 34 | 46 | 15 | ERC 20 | 050.020 |
| 114.222 | 22 | 34 | 46 | 15 | ERC 20 | 050.020 |
| 114.322 | 22 | 47 | 50 | 18 | ERC 32 | 050.032 |
| 114.325 | 25 | 47 | 50 | 18 | ERC 32 | 050.032 |
| 114.326 | 25.40 | 47 | 50 | 18 | ERC 32 | 050.032 |
| 114.330 | 30 | 47 | 50 | 18 | ERC 32 | 050.032 |
| 114.331 | 31.75 | 47 | 50 | 18 | ERC 32 | 050.032 |
| 114.332 | 32 | 47 | 50 | 18 | ERC 32 | 050.032 |



* = A richiesta (on request)



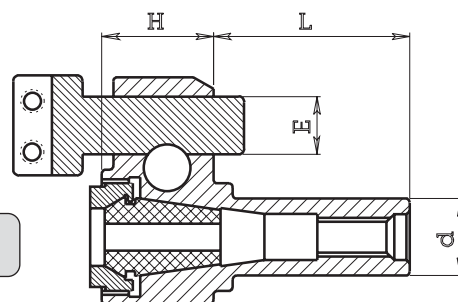


PORTA UTENSILE COMBINATO SEMPLICE Tipo 116 CON PINZA

TURN AND DRILL HOLDER WITH COLLET



| Code | | | | | Collet | Code collet |
|----------|--------|----|----|----|--------|-------------|
| ART. | d | H | L | E | pinza | art. pinza |
| 116.115* | 15.875 | 28 | 32 | 12 | ERC 16 | 050.016 |
| 116.116* | 16 | 28 | 32 | 12 | ERC 16 | 050.016 |
| 116.119* | 19.05 | 28 | 32 | 12 | ERC 16 | 050.016 |
| 116.219 | 19.05 | 34 | 45 | 15 | ERC 20 | 050.020 |
| 116.220 | 20 | 34 | 45 | 15 | ERC 20 | 050.020 |
| 116.222 | 22 | 34 | 45 | 15 | ERC 20 | 050.020 |
| 116.322 | 22 | 47 | 50 | 18 | ERC 32 | 050.032 |
| 116.325 | 25 | 47 | 50 | 18 | ERC 32 | 050.032 |
| 116.326 | 25.40 | 47 | 50 | 18 | ERC 32 | 050.032 |
| 116.330 | 30 | 47 | 50 | 18 | ERC 32 | 050.032 |
| 116.331 | 31.75 | 47 | 50 | 18 | ERC 32 | 050.032 |
| 116.332 | 32 | 47 | 50 | 18 | ERC 32 | 050.032 |
| 116.426 | 25.40 | 47 | 50 | 18 | ERC 25 | 050.025 |



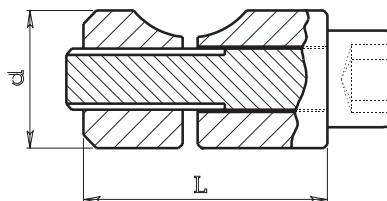
Pinze DIN 6499/B
Collets DIN 6499/B

* = A richiesta (on request)

NOTTOLINI DI BLOCCAGGIO Tipo 244

INTERLOCKING BUSHES

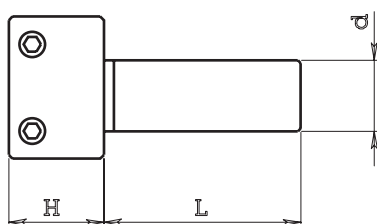
| Code | | | for toolholder |
|---------|----|----|-------------------------------|
| ART. | d | L | art. portautensile |
| 244.201 | 12 | 26 | 110.2 - 112.2 - 114.2 - 116.2 |
| 244.301 | 15 | 36 | 110.3 - 112.3 - 114.3 - 116.3 |



SUPPORTINI FISSI Tipo 120

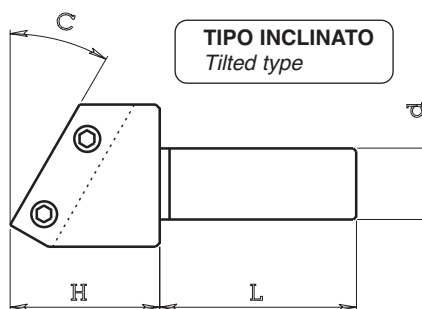
FIXED TOOLHOLDERS

TIPO RADIALE
Radial type

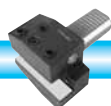


| Code | | | |
|---------|----|----|----|
| ART. | d | L | H |
| 120.101 | 12 | 32 | 14 |
| 120.102 | 12 | 40 | 14 |
| 120.201 | 15 | 42 | 18 |
| 120.202 | 15 | 60 | 18 |
| 120.301 | 18 | 50 | 20 |
| 120.302 | 18 | 75 | 20 |

TIPO INCLINATO
Tilted type



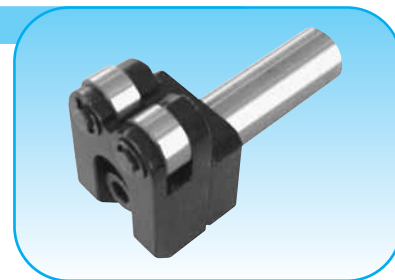
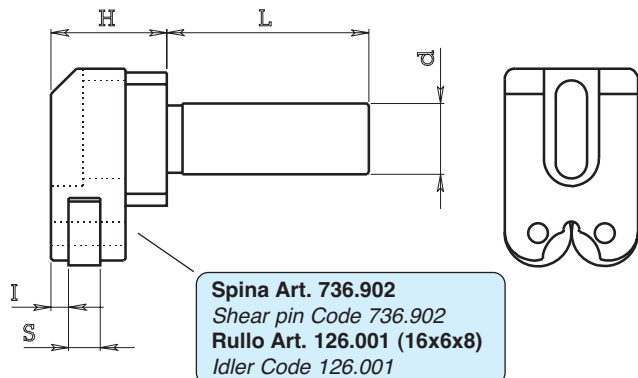
| right hand cut off | | | | | left hand cut off |
|--------------------|----|----|----|-----|-------------------|
| ART. taglio dx | d | L | H | C | ART. taglio sx |
| 120.211 | 15 | 42 | 18 | 8° | 120.711 |
| 120.212 | 15 | 60 | 18 | 8° | 120.712 |
| 120.231 | 15 | 42 | 29 | 30° | 120.731 |
| 120.232 | 15 | 60 | 29 | 30° | 120.732 |
| 120.311 | 18 | 50 | 25 | 8° | 120.811 |
| 120.312 | 18 | 75 | 25 | 8° | 120.812 |
| 120.331 | 18 | 50 | 32 | 30° | 120.831 |
| 120.332 | 18 | 75 | 32 | 30° | 120.832 |





SUPPORTINI PORTA RULLI Tipo 126

IDLER TOOLHOLDERS



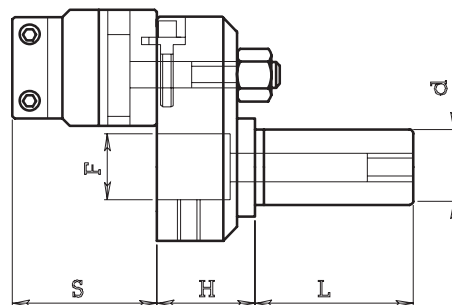
| Code | | | | | | bar diameter | |
|---------|----|----|----|---|---|-------------------------|-----|
| ART. | d | H | L | I | S | capacità di guida barra | |
| | | | | | | min | max |
| 126.201 | 15 | 27 | 42 | 4 | 8 | 3 | 18 |
| 126.301 | 18 | 29 | 52 | 4 | 8 | 3 | 30 |

PORTA UTENSILI REGISTRABILI Tipo 130

ADJUSTABLE TOOLHOLDERS

A richiesta (on request)

| Code | | | | | | | | |
|---------|-------|----|----|----|----|--|--|--|
| ART. | d | S | H | L | F | | | |
| 130.219 | 19.05 | 30 | 26 | 46 | 15 | | | |
| 130.220 | 20 | 30 | 26 | 46 | 15 | | | |
| 130.322 | 22 | 38 | 38 | 50 | 25 | | | |
| 130.325 | 25 | 38 | 38 | 50 | 25 | | | |
| 130.326 | 25.40 | 38 | 38 | 50 | 25 | | | |
| 130.330 | 30 | 38 | 38 | 50 | 25 | | | |
| 130.331 | 31.75 | 38 | 38 | 50 | 25 | | | |
| 130.332 | 32 | 38 | 38 | 50 | 25 | | | |

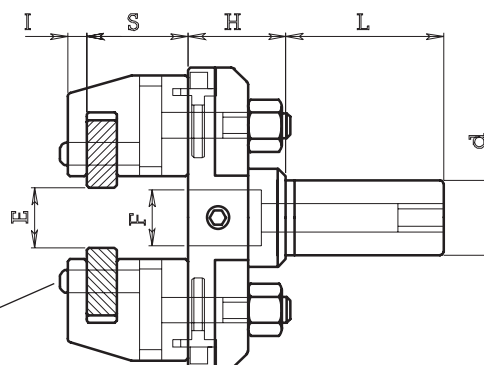


PORTA UTENSILI PORTA GODRONI Tipo 136

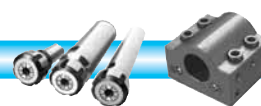
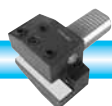
KNURL HOLDERS

| Code | | | | | | | | |
|---------|-------|----|----|---|----|----|-------|-------|
| ART. | d | S | H | I | L | F | E min | E max |
| 136.219 | 19.05 | 28 | 28 | 5 | 42 | 15 | 5 | 26 |
| 136.220 | 20 | 28 | 28 | 5 | 42 | 15 | 5 | 26 |
| 136.322 | 22 | 34 | 35 | 6 | 50 | 25 | 6 | 56 |
| 136.325 | 25 | 34 | 35 | 6 | 50 | 25 | 6 | 56 |
| 136.326 | 25.40 | 34 | 35 | 6 | 50 | 25 | 6 | 56 |
| 136.330 | 30 | 34 | 35 | 6 | 50 | 25 | 6 | 56 |
| 136.331 | 31.75 | 34 | 35 | 6 | 50 | 25 | 6 | 56 |
| 136.332 | 32 | 34 | 35 | 6 | 50 | 25 | 6 | 56 |

Per godroni diametro esterno 20 mm, foro 6 mm, spessore 8 mm
For 20 mm diameter, 6 mm bore, 8 mm length knurls



Spina Art. 736.904
Shear pin Code 736.904





PORTA GODRONI Tipo 340 e Tipo 341

KNURL HOLDERS

| Code | square | | | shear pin | | | |
|---------|--------|-----|---|------------|----|----|------|
| ART. | quadro | L | d | art. spina | D | S | Fig. |
| 340.006 | 6x6 | 120 | 4 | 736.903 | 12 | 4 | 1 |
| 340.007 | 7x7 | 120 | 4 | 736.903 | 12 | 4 | 1 |
| 340.008 | 8x8 | 120 | 4 | 736.903 | 12 | 4 | 1 |
| 340.010 | 10x10 | 120 | 4 | 736.903 | 12 | 4 | 1 |
| | | | | | | | |
| 340.106 | 6x6 | 120 | 5 | 736.901 | 15 | 5 | 1 |
| 340.107 | 7x7 | 120 | 5 | 736.901 | 15 | 5 | 1 |
| 340.108 | 8x8 | 120 | 5 | 736.901 | 15 | 5 | 1 |
| 340.110 | 10x10 | 120 | 5 | 736.901 | 15 | 5 | 1 |
| 340.112 | 12x12 | 120 | 5 | 736.901 | 15 | 5 | 1 |
| | | | | | | | |
| 340.210 | 10x10 | 120 | 6 | 736.902 | 20 | 6 | 1 |
| 340.212 | 12x12 | 120 | 6 | 736.902 | 20 | 6 | 1 |
| | | | | | | | |
| 340.310 | 10x10 | 120 | 6 | 736.902 | 20 | 8 | 1 |
| 340.312 | 12x12 | 120 | 6 | 736.902 | 20 | 8 | 1 |
| 340.316 | 16x16 | 120 | 6 | 736.902 | 20 | 8 | 1 |
| | | | | | | | |
| 340.410 | 10x10 | 120 | 6 | 736.904 | 20 | 10 | 1 |
| 340.412 | 12x12 | 120 | 6 | 736.904 | 20 | 10 | 1 |
| | | | | | | | |
| 341.008 | 8x8 | 120 | 4 | 736.903 | 12 | 4 | 2 |
| | | | | | | | |
| 341.108 | 8x8 | 120 | 5 | 736.901 | 15 | 5 | 2 |
| 341.110 | 10x10 | 120 | 5 | 736.901 | 15 | 5 | 2 |
| | | | | | | | |
| 341.310 | 10x10 | 130 | 6 | 736.902 | 20 | 8 | 2 |
| 341.312 | 12x12 | 130 | 6 | 736.902 | 20 | 8 | 2 |

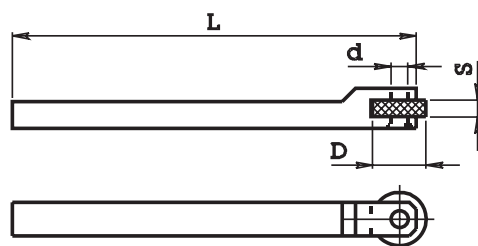


Fig. 1

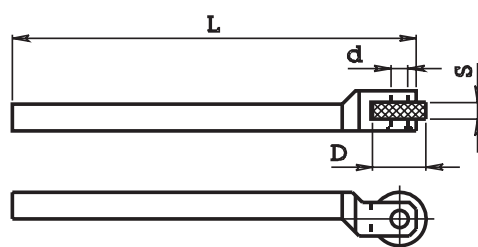


Fig. 2

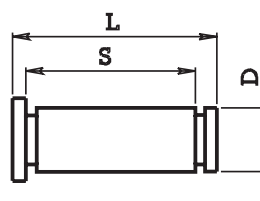
NOTA BENE

Il porta godrone viene fornito con spina
Knurl holder is provided with shear pin

SPINA PER PORTA GODRONI Tipo 736

SHEAR PIN FOR KNURL HOLDERS

| Code | | | |
|---------|---|----|----|
| ART. | D | L | S |
| 736.901 | 5 | 14 | 11 |
| 736.902 | 6 | 18 | 15 |
| 736.903 | 4 | 14 | 11 |
| 736.904 | 6 | 20 | 17 |



GODRONI

È DISPONIBILE A MAGAZZINO UN VASTO ASSORTIMENTO DI GODRONI

Knurls range available from warehouse



ART. G471



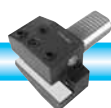
ART. G472

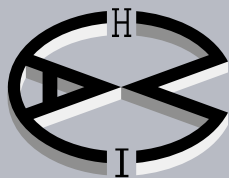
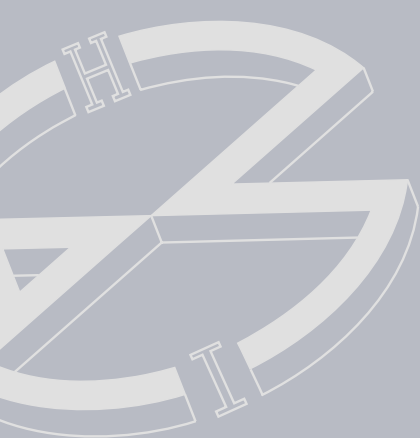


ART. G470



ART. G474





CHIA-MO



DOVE SIAMO WHERE WE ARE



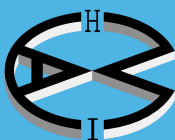
CHIA-MO

Via Caduti di Sabbiuno, 12

40011 Anzola dell'Emilia (Bologna) Italy

Tel. +39 051 734153 - Fax +39 051 734958

info@chiamo.it - www.chiamo.it



CHIA-MO
ITALY



Via Caduti di Sabbiuono, 12
40011 Anzola dell'Emilia (Bologna) Italy
Tel. +39 051 734153 - Fax +39 051 734958
info@chiamo.it - www.chiamo.it

