



PINZE PER CARICATORI Tipo 034

BARLOADERS COLLETS

PER CARICATORI (FOR BARLOADER):

FMB - TRAUB - HAGENUK - IEMCA - ROBOBAR
LNS - SAMECA - MINISPRINT - MINITURBO

| ART. (Code) | D | L | F | X min | X max | Ø B | A | fig. |
|-------------|----|----|-------|-------|-------|-----|---|------|
| 034.105 | 5 | 37 | M 4 | 1,5 | 4 | - | - | 2 |
| 034.107 | 7 | 37 | M 5 | 2 | 5,5 | - | - | 2 |
| 034.110 | 10 | 40 | 7 H7 | 3 | 8 | 4,1 | 6 | 1 |
| 034.112 | 12 | 40 | 8 H7 | 3 | 10 | 4,1 | 6 | 1 |
| 034.115 | 15 | 40 | 11 H7 | 3 | 13 | 6,1 | 6 | 1 |
| 034.116 | 16 | 40 | 11 H7 | 3 | 14 | 6,1 | 6 | 1 |
| 034.118 | 18 | 40 | 11 H7 | 3 | 16 | 6,1 | 6 | 1 |
| 034.120 | 20 | 65 | 14 H7 | 4 | 18 | 8,1 | 7 | 1 |
| 034.125 | 25 | 65 | 20 H7 | 4 | 22 | 8,1 | 7 | 1 |
| 034.132 | 32 | 65 | 20 H7 | 10 | 29 | 8,1 | 7 | 1 |

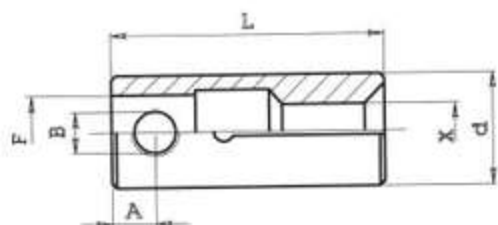


Fig. 1

PER CARICATORI (FOR BARLOADER):

LNS TRYTON

| ART. (Code) | D | L | F | X min | X max | fig. |
|-------------|------|----|------|-------|-------|------|
| 034.006 | 6 | 30 | M 4 | 1,5 | 4,5 | 2 |
| 034.007 | 7 | 30 | M 4 | 2 | 5 | 2 |
| 034.010 | 10 | 30 | M 5 | 2 | 8 | 2 |
| 034.012 | 12 | 30 | M 6 | 3 | 9,5 | 2 |
| 034.013 | 12,5 | 30 | M 6 | 9,5 | 10,5 | 2 |
| 034.017 | 16,5 | 35 | M 8 | 4 | 14,5 | 2 |
| 034.020 | 20 | 35 | M 10 | 4 | 18 | 2 |

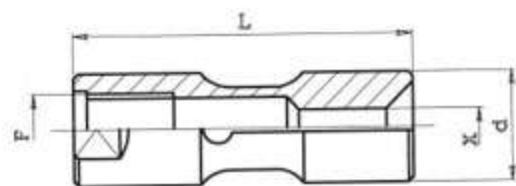


Fig. 2

PER CARICATORI (FOR BARLOADER):

FMB - TRAUB - HAGENUK - IEMCA - ROBOBAR
LNS - SAMECA - MINISPRINT - MINITURBO

| ART. (Code) | D | L | F | X min | X max | fig. |
|-------------|----|----|-------|-------|-------|------|
| 034.225 | 25 | 90 | 20 H7 | 3 | 20 | 3 |
| 034.232 | 32 | 90 | 20 H7 | 5 | 29,5 | 3 |
| 034.236 | 36 | 90 | 20 H7 | 5 | 33 | 3 |

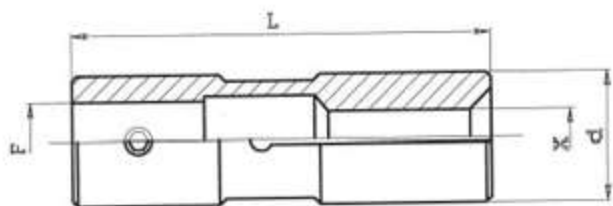


Fig. 3





ROTANTI PER CARICATORI Tipo 518

BARLOADERS REVOLVING

PER CARICATORI (FOR BARLOADER):

TRAUB - FMB - HAGENUK - LNS

| ART. (Code) | D | L | F | d | fig. |
|-------------|-----|------|-----|-----|------|
| 518.005 | 5,5 | 69 | - | M 4 | 1 |
| 518.007 | 7 | 78,5 | M 5 | M 5 | 1 |

PER CARICATORI (FOR BARLOADER):

FMB - HAGENUK

| ART. (Code) | D | L | F | d | H | fig. |
|-------------|----|------|---|---|----|------|
| 518.110 | 10 | 45,5 | 8 | 7 | 31 | 2 |
| 518.112 | 12 | 45,5 | 8 | 8 | 31 | 2 |

PER CARICATORI (FOR BARLOADER):

FMB - HAGENUK - TRAUB

| ART. (Code) | D | L | F | d | H | fig. |
|-------------|----|----|----|----|----|------|
| 518.115 | 15 | 50 | 12 | 11 | 31 | 2 |
| 518.118 | 18 | 50 | 12 | 11 | 31 | 2 |
| 518.120 | 20 | 50 | 17 | 14 | 31 | 2 |
| 518.125 | 25 | 50 | 20 | 20 | 31 | 2 |

PER CARICATORI (FOR BARLOADER):

TORNOS ROBOBAR

| ART. (Code) | D | L | F | d | fig. |
|-------------|------|-----|-----|-----|------|
| 518.205 | 5,5 | 78 | M 3 | M 4 | 1 |
| 518.207 | 7,5 | 78 | 5 | M 5 | 1 |
| 518.210 | 10,5 | 81 | 8 | 7 | 3 |
| 518.216 | 16 | 126 | 10 | 11 | 3 |
| 518.218 | 18 | 126 | 10 | 11 | 3 |
| 518.221 | 20,5 | 127 | 14 | 14 | 3 |
| 518.225 | 25 | 127 | 20 | 20 | 3 |
| 518.226 | 26 | 127 | 20 | 20 | 3 |
| 518.236 | 36 | 127 | 25 | 20 | 3 |

PER CARICATORI (FOR BARLOADER):

TRAUB - FMB - HAGENUK - LNS

| ART. (Code) | D | L | F | d | fig. |
|-------------|----|------|----|----|------|
| 518.310 | 10 | 51 | 8 | 7 | 3 |
| 518.312 | 12 | 51 | 8 | 8 | 3 |
| 518.315 | 15 | 51 | 12 | 11 | 3 |
| 518.318 | 18 | 51 | 12 | 11 | 3 |
| 518.320 | 20 | 56 | 17 | 14 | 3 |
| 518.320B | 20 | 51 | 12 | 11 | 3 |
| 518.325 | 25 | 58,5 | 20 | 20 | 3 |

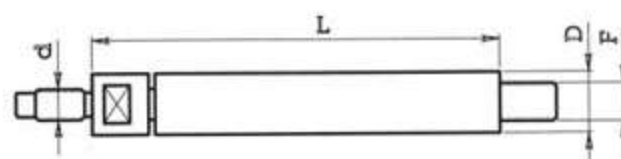


Fig. 1

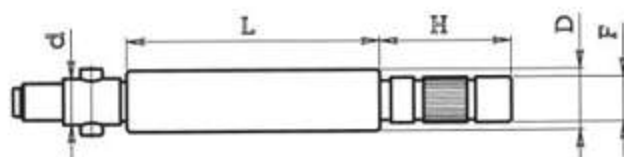


Fig. 2

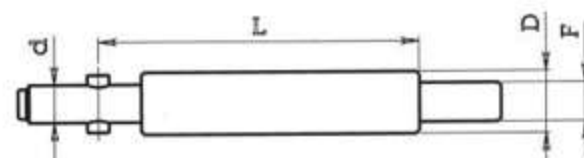


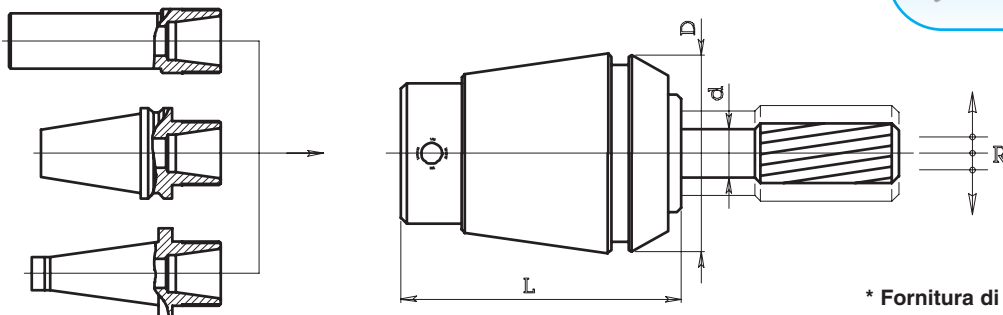
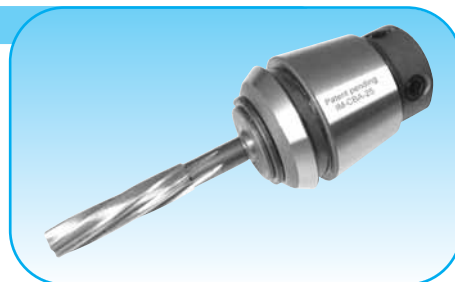
Fig. 3





PINZE CBA PER ALESATURA E MASCHIATURA RIGIDA DIN 6499 B
REAMER AND SYNCHRONIZED TAP COLLETS

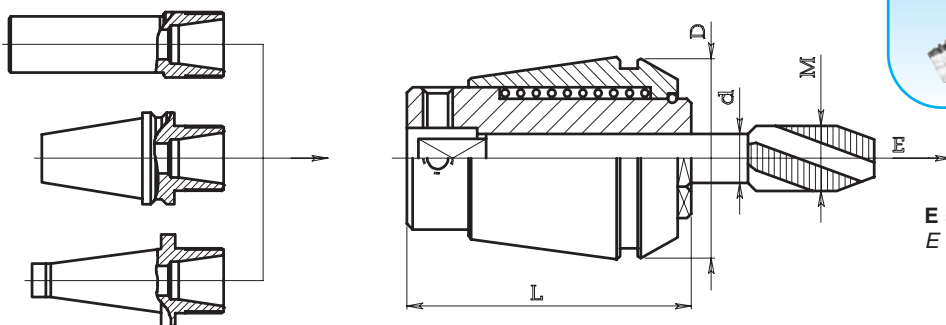
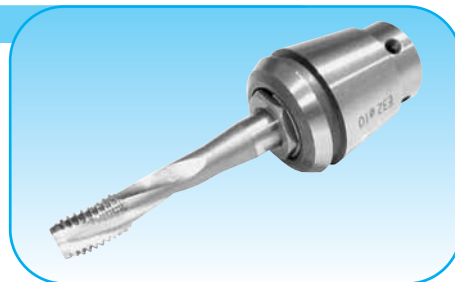
BREVETTATA
PATENTED



* Fornitura di altri alesaggi su richiesta
* Other bores providing on request

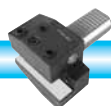
| Code | Seat | | | | bores * | |
|-----------|--------|----|----|--|---------|-----|
| ART. | sede | D | L | alesaggi d * | | R |
| IM-CBA-16 | ERC 16 | 17 | 29 | 2 - 3 - 4 - 5 - 6 - 7 | | 0.5 |
| IM-CBA-20 | ERC 20 | 21 | 32 | 3 - 4 - 5 - 6 - 7 - 8 | | 0.5 |
| IM-CBA-25 | ERC 25 | 26 | 35 | 3 - 4 - 5 - 6 - 7 - 8 - 9 - 10 | | 0.5 |
| IM-CBA-32 | ERC 32 | 33 | 44 | 4 - 5 - 6 - 7 - 8 - 9 - 10 - 11 - 12 - 13 - 14 | | 0.5 |
| IM-CBA-40 | ERC 40 | 41 | 56 | 5 - 6 - 7 - 8 - 9 - 10 - 11 - 12 - 13 - 14 - 15 - 16 | | 0.5 |

PINZE PORTAMASCHI CON ESTRAZIONE Tipo ZM 050 DIN 6499 B
TAP COLLETS WITH EXTENSION



E = corsa di estrazione
E = Extension stroke

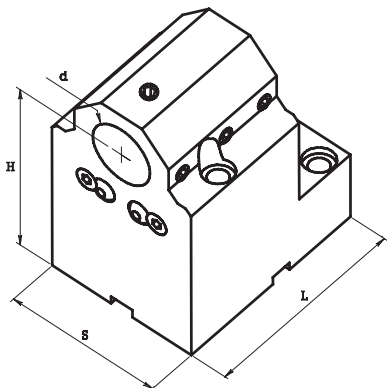
| Code | Seat | | | | Tap capacity | bores | |
|------------|--------|----|----|------------------------|--|-------|--|
| ART. | sede | D | L | capacità maschiatura M | alesaggi d | E | |
| 050.016 ZM | ERC 16 | 17 | 27 | M1-M6 | 1.4 - 1.6 - 1.8 - 2 - 2.2 - 2.5 - 2.8 - 3 - 3.15 - 3.5 - 3.55 - 4 - 4.5 - 5 - 5.5 - 6 | 7 | |
| 050.020 ZM | ERC 20 | 21 | 31 | M1-M8 | 2.2 - 2.5 - 2.8 - 3 - 3.15 - 3.5 - 3.55 - 4 - 4.5 - 5 - 5.5 - 5.6 - 6 - 6.2 - 7 - 8 | 7 | |
| 050.025 ZM | ERC 25 | 26 | 34 | M3.5-M10 (M12) | 2.5 - 2.8 - 3 - 3.15 - 3.5 - 3.55 - 4 - 4.5 - 5 - 5.5 - 5.6 - 6 - 6.2 - 6.3 - 7 - 8 - 8.5 - 9 - 10 | 8 | |
| 050.032 ZM | ERC 32 | 33 | 43 | M4-M12 (M16) | 4.5 - 5 - 5.5 - 5.6 - 6 - 6.2 - 6.3 - 7 - 8 - 8.5 - 9 - 10 - 10.5 - 11 - 11.2 - 12 - 12.5 | 10 | |
| 050.040 ZM | ERC 40 | 41 | 54 | M6-M16 (M20) | 6 - 6.2 - 6.3 - 7 - 8 - 8.5 - 9 - 10 - 10.5 - 11 - 11.2 - 12 - 12.5 - 14 - 15 - 16 | 13 | |





TORNI MORI SEIKI / NZ / NL
MORI SEIKI LATHES / NZ / NL

PORTAUTENSILI ASSIALI - AXIAL TOOLHOLDERS

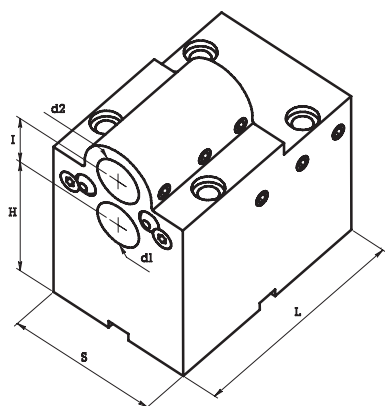


| Code | Mori Seiki code | | | | |
|-----------|-----------------|----|-----|----|-----|
| ART. | Cod. Mori Seiki | d | H | S | L |
| 7M5.C32 | T10115 | 32 | 100 | 78 | 115 |
| 7M5.C32 R | T13132 | 32 | 100 | 78 | 115 |



Con passaggio liquido refrigerante esterno o interno
With inner or outer coolant feeding system

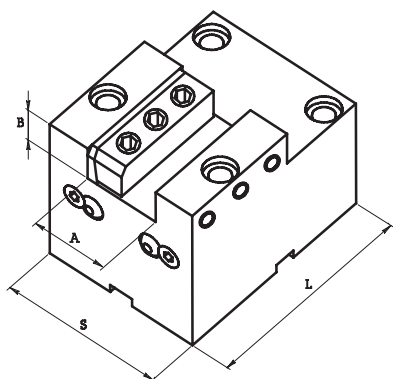
PORTAUTENSILI ASSIALI - AXIAL TOOLHOLDERS



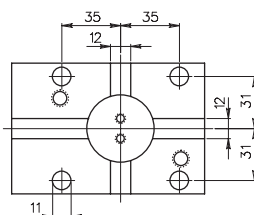
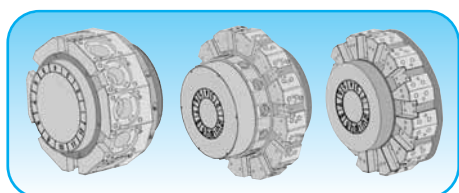
| Code | Mori Seiki code | | | | |
|---------|-----------------|-------|----|----|--------|
| ART. | Cod. Mori Seiki | d1-d2 | H | I | S L |
| 7M5.D25 | T10117 | 25 | 75 | 30 | 78 130 |

Con passaggio liquido refrigerante esterno o interno
With inner or outer coolant feeding system

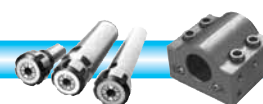
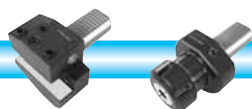
PORTAUTENSILI ASSIALI - AXIAL TOOLHOLDERS



| Code | Mori Seiki code | | | | |
|---------|-----------------|----|----|----|-----|
| ART. | Cod. Mori Seiki | A | B | S | L |
| 8M5.C40 | — | 40 | 20 | 78 | 115 |



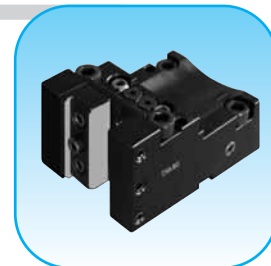
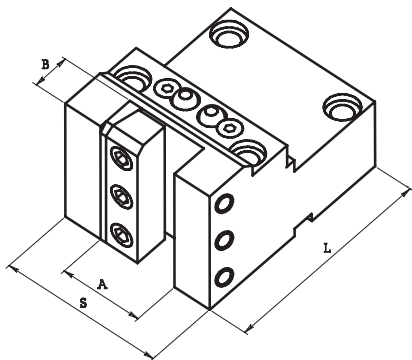
INTERASSE FORI IN PORTAUTENSILI
DISTANCE BETWEEN HOLES IN TOOLHOLDERS





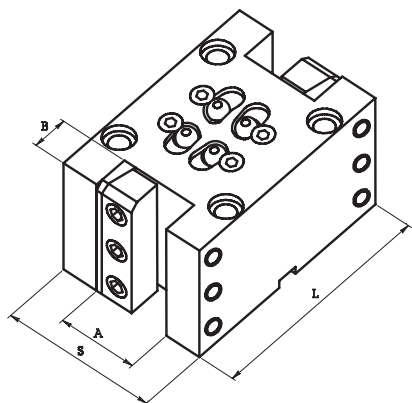
TORNI MORI SEIKI / NZ / NL
MORI SEIKI LATHES / NZ / NL

PORTAUTENSILI RADIALI - RADIAL TOOLHOLDERS



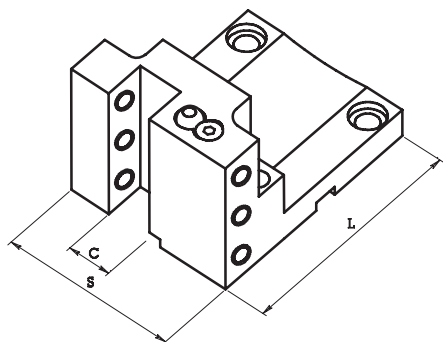
| Code | Mori Seiki code | | | | |
|----------------|-----------------|----|----|----|-----|
| ART. | Cod. Mori Seiki | A | B | S | L |
| 8M5.V40 | T00224 | 40 | 20 | 78 | 115 |

PORTAUTENSILI RADIALI - RADIAL TOOLHOLDERS

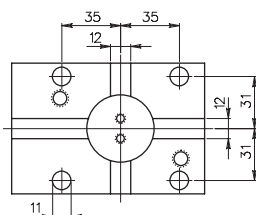
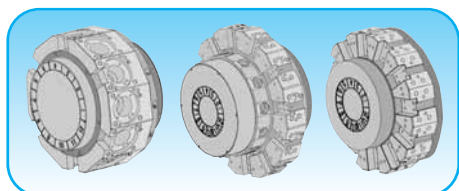


| Code | Mori Seiki code | | | | |
|----------------|-----------------|----|----|----|-----|
| ART. | Cod. Mori Seiki | A | B | S | L |
| 8M5.D40 | T00228 | 40 | 20 | 78 | 130 |

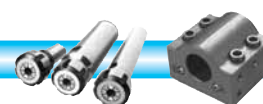
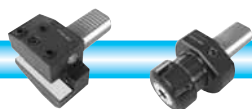
PORTAUTENSILI RADIALI - RADIAL TOOLHOLDERS



| Code | Mori Seiki code | | | |
|----------------|-----------------|----|----|-----|
| ART. | Cod. Mori Seiki | C | S | L |
| 8M5.B20 | T00251 | 20 | 78 | 115 |



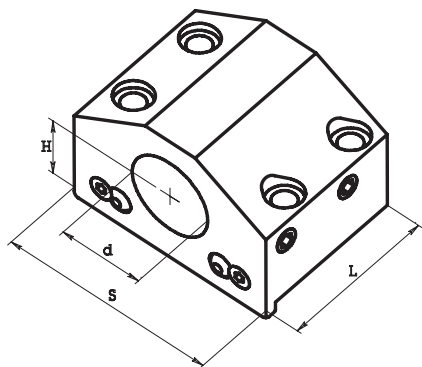
INTERASSE FORI IN PORTAUTENSILI
DISTANCE BETWEEN HOLES IN TOOLHOLDERS



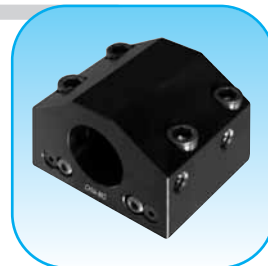


TORNI HAAS
HAAS LATHES

PORTAUTENSILI ASSIALI - AXIAL TOOLHOLDERS

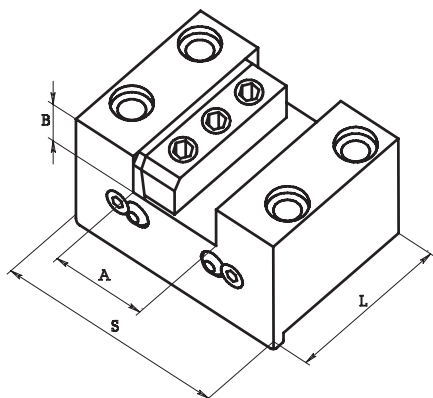


Con passaggio liquido refrigerante esterno o interno
With inner or outer coolant feeding system



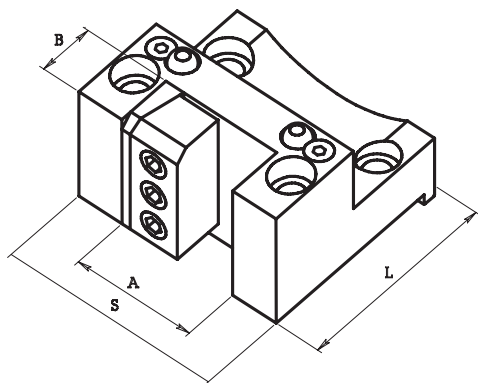
| Code | HAAS code | | | | |
|---------|-----------|----|-------|-------|------|
| ART. | Cod. HAAS | d | H | S | L |
| 7H6.C32 | BOT20MID | 32 | 31.75 | 101.5 | 82.5 |
| 7H6.C40 | BOT20MID | 40 | 31.75 | 101.5 | 82.5 |

PORTAUTENSILI ASSIALI - AXIAL TOOLHOLDERS

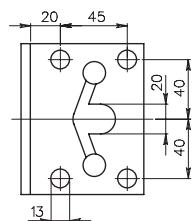
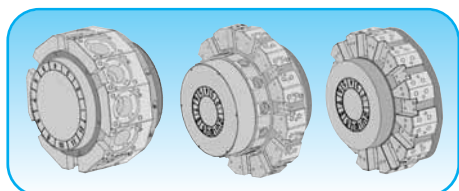


| Code | HAAS code | | | | |
|---------|-----------|----|----|-------|------|
| ART. | Cod. HAAS | A | B | S | L |
| 8H6.C50 | BOT20MFG | 50 | 25 | 101.5 | 82.5 |

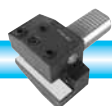
PORTAUTENSILI RADIALI - RADIAL TOOLHOLDERS



| Code | HAAS code | | | | |
|---------|-----------|----|----|-------|----|
| ART. | Cod. HAAS | A | B | S | L |
| 8H6.V50 | BOT20MOD | 50 | 25 | 101.5 | 92 |



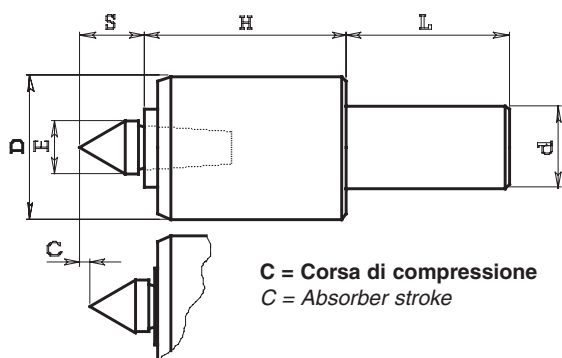
INTERASSE FORI IN PORTAUTENSILI
DISTANCE BETWEEN HOLES IN TOOLHOLDERS





CONTROPUNTA ROTANTE CON COMPRESSIONE Tipo 172300

REVOLVING TAILSTOCK WITH COMPRESSION

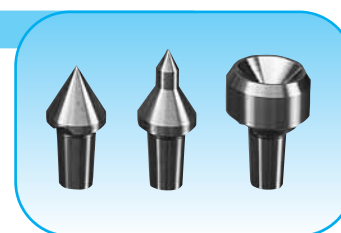


| Code | | | | | | | |
|---------|--------|----|----|----|----|----|---|
| ART. | d | D | E | H | L | S | C |
| 172.308 | 8 | 32 | 14 | 44 | 35 | 16 | 2 |
| 172.310 | 10 | 32 | 14 | 44 | 35 | 16 | 2 |
| 172.312 | 12 | 32 | 14 | 44 | 35 | 16 | 2 |
| 172.314 | 14 | 32 | 14 | 44 | 35 | 16 | 2 |
| 172.315 | 15.875 | 32 | 14 | 44 | 35 | 16 | 2 |
| 172.316 | 16 | 32 | 14 | 44 | 35 | 16 | 2 |
| 172.319 | 19.05 | 32 | 14 | 44 | 46 | 16 | 2 |
| 172.320 | 20 | 32 | 14 | 44 | 46 | 16 | 2 |
| 172.322 | 22 | 32 | 14 | 44 | 46 | 16 | 2 |
| 172.325 | 25 | 32 | 14 | 44 | 46 | 16 | 2 |
| 172.326 | 25.40 | 32 | 14 | 44 | 46 | 16 | 2 |

La contropunta viene fornita con cuspidi art. 172.301 - salvo diversa identificazione.
The revolving tailstock is provided with code 172.301 (interchangeable insert).

CUSPIDI INTERCAMBIABILI PER CONTROPUNTA

INTERCHANGEABLE INSERT



Per articolo (for Code): 172.300

| Code | | | | | | Center |
|---------|------|----|----|----|----|--------|
| ART. | Fig. | E | S | G | F | Punta |
| 172.301 | 1 | 14 | 16 | - | - | 60° |
| 172.302 | 2 | 14 | 22 | 7 | - | 60° |
| 172.303 | 3 | 20 | 12 | 12 | 10 | 60° |

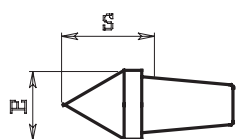


FIG. 1

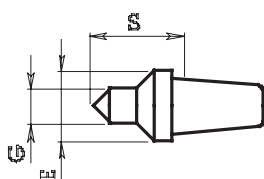


FIG. 2

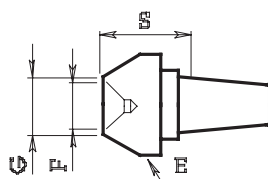
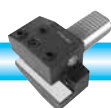


FIG. 3



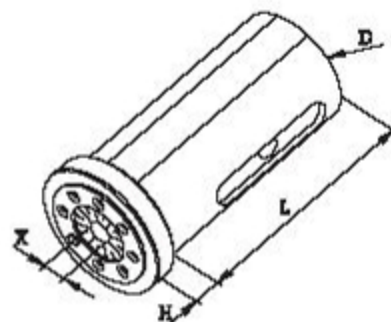


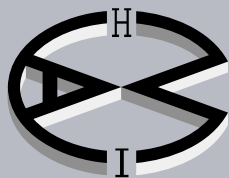
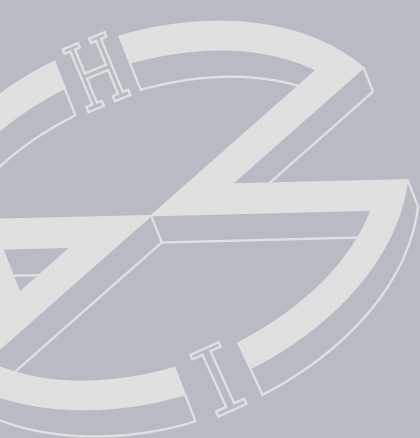
BUSOLE PORTA PINZA CON GHIERA INTERNA

BUSH (CYLINDRICAL CONNECTION)

| Code | | | | | Collet | Collet code | Nut code | Spanner code |
|-------------|----|---|----|----------|--------|-------------|-------------|--------------|
| ART. | D | H | L | X | Pinza | Art. pinza | Art. ghiera | Art. chiave |
| 168.132 070 | 32 | 5 | 70 | 0.5 - 13 | ERC 20 | 050.020 | 052.420 | 053.420 |
| 168.240 080 | 40 | 5 | 80 | 0.5 - 16 | ERC 25 | 050.025 | 052.425 | 053.425 |

Con passaggio liquido refrigerante dall'interno
With inner coolant feeding system





CHIA-MO

ITALY

DOVE SIAMO WHERE WE ARE



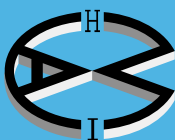
CHIA-MO

Via Caduti di Sabbiuno, 12

40011 Anzola dell'Emilia (Bologna) Italy

Tel. +39 051 734153 - Fax +39 051 734958

info@chiamo.it - www.chiamo.it



CHIA-MO
ITALY



Via Caduti di Sabbiano, 12
40011 Anzola dell'Emilia (Bologna) Italy
Tel. +39 051 734153 - Fax +39 051 734958
info@chiamo.it - www.chiamo.it

